

AUT-WT1	AUTOMATIC TOUCH ON/OFF
AUT-WTM2	AUTOMATIC METERED TOUCH
AUT-WP3	AUTOMATIC TOUCHFREE
AUT-WPM4	AUTOMATIC METERED TOUCHFREE

Features:

- Can be used with most Watermark wall mount spouts and finishes
- No visible sensor – turns the spout itself into the sensor
- Battery operated – no need for hardwiring
- Safety timeout so water doesn't run indefinitely (WT1 and WP3 only)
- Metered option to satisfy local codes for public bathrooms
- No temperature control – water should be pre-tempered

Specifications:

- Working water pressure: 20 PSI to 85 PSI
- Working water temperature: 45°F to 120°F
- Working environmental temperature: 35°F to 100°F
- Flow Rate: 1.2 GPM
- IP55 water and dust protection
- 6V CR-P2 lithium battery (included)
- 12 second metering cycle (WTM2 and WPM4 only) provides 0.24 gallons per cycle
- Shipping weight (lbs.): 10
- Shipping dimension (in.): 29 x 12 x 4

Note:

- **DO NOT USE PLUMBER'S PUTTY ON ANY OF THE BRASS COMPONENTS**
This will cause the finish to tarnish and void the warranty. A non-corrosive Alkoxy Silicone is recommended.
- **DURING SWEATING OF LINES DO NOT OVERHEAT CASTING**
Overheating may cause damage to internal mechanism and void the manufacturer's warranty as well as increase the risk of scalding.
- **COPPER ADAPTORS MAY BE REQUIRED TO COMPLETE YOUR INSTALLATION**
- Not for use with metallic sinks or counters.

Diagram A - Dimensions

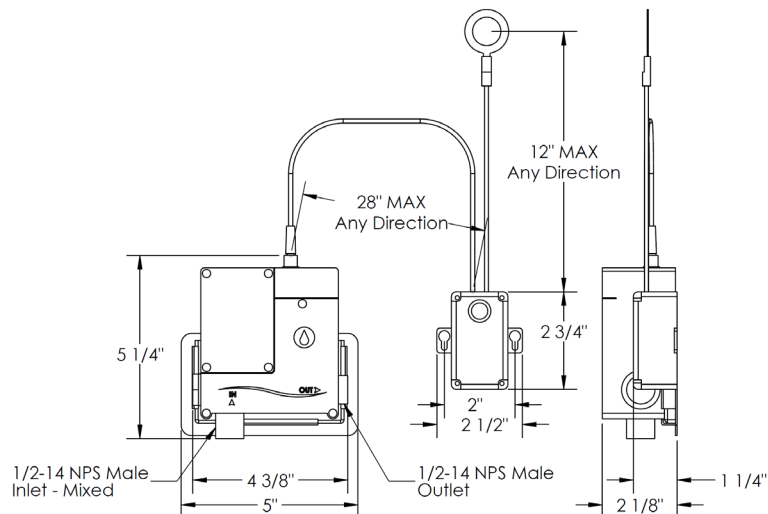
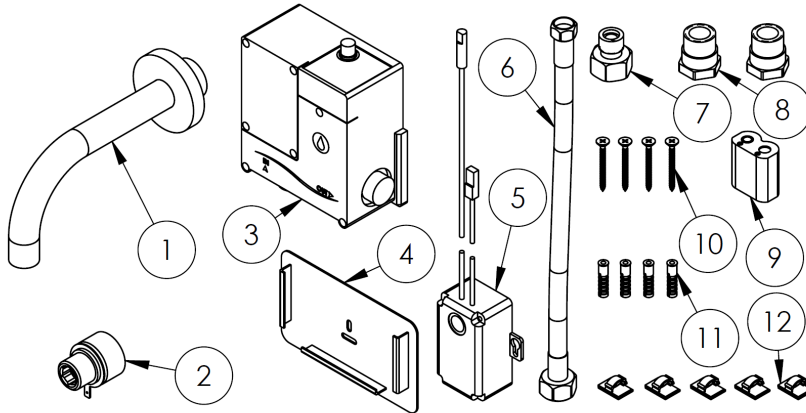


Diagram B – Parts Checklist



#	Description	Qty.
1	Spout Assembly	1
2	Spout Adapter	1
3	Solenoid Valve	1
4	Solenoid Bracket	1
5	Electrical Box	1
6	Hose	1
7	Hose Adapter	1
8	Solenoid Adapter	2
9	Battery	1
10	Wood Screw	4
11	Drywall Anchor	4
12	Wall Clip	5

Installation

1. Flush the lines of all dirt and debris.
Note: Failure to completely flush lines will cause valve failure and will void the warranty.
2. Close water supply.

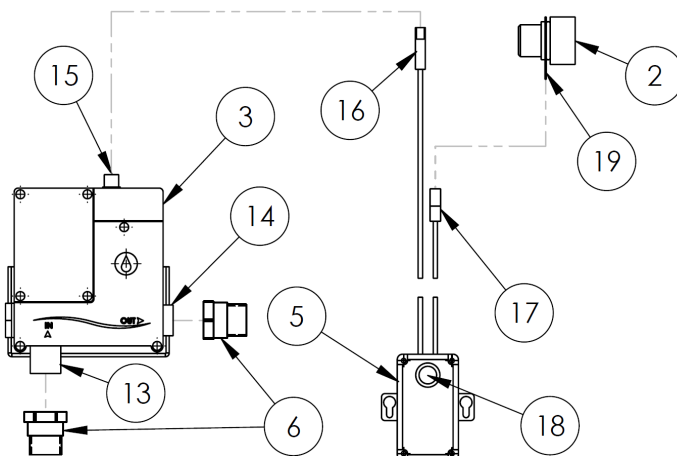
Note: Refer to Diagrams A and B for Steps 3 – 4.

3. Position **Electrical Box (5)** so the top is within 12" of the desired spout position and secure with 2 **Wood Screws (10)**. **Drywall Anchors (11)** may be used if securing to drywall.
4. Position **Solenoid Bracket (4)** so the top of **Solenoid Valve (3)** is within 28" of the top of **Electrical Box (5)**. Secure with 2 **Wood Screws (10)**. **Drywall Anchors (11)** may be used if securing to drywall.
Note: There must be access to **Electrical Box (5)** and **Solenoid Valve (3)** after the wall is closed and installation is complete.

Note: Refer to Diagrams B and C for Steps 5 – 8.

5. Connect **Solenoid Adapters (8)** to **Solenoid Inlet (13)** and **Solenoid Outlet (14)**.
6. Slide **Solenoid Valve (3)** into **Solenoid Bracket (4)**. Solenoid should be oriented with inlet on bottom and outlet on right, as shown.
7. Connect **Solenoid Wire (16)** to **Solenoid Wire Connector (15)**. Run **Sensor Wire (17)** to the spout connection and connect to **Connecting Tab (19)** on **Spout Adapter (2)**.
8. Route **Sensor Wire (17)** and **Solenoid Wire (16)** so they **do not come in contact with each other, with the piping or with any other metal**. **Wall Clips (12)** may be used to assist with wire routing.

Diagram C – Sensor and Solenoid Adapter Connections



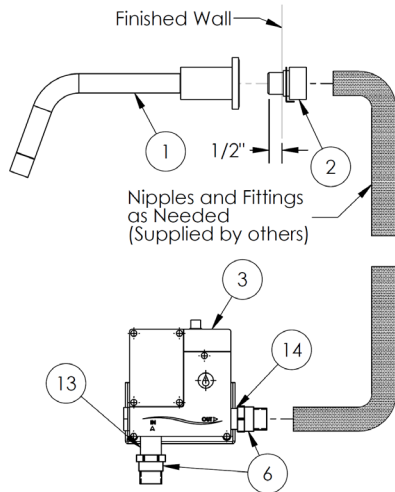
#	Description
2	Spout Adapter
3	Solenoid Valve
5	Electrical Box
8	Solenoid Adapter
13	Solenoid Inlet
14	Solenoid Outlet
15	Solenoid Wire Connector
16	Solenoid Wire
17	Sensor Wire
18	Red LED/White Button
19	Connecting Tab

Note: Refer to Diagrams B, C and D for Steps 9 – 10.

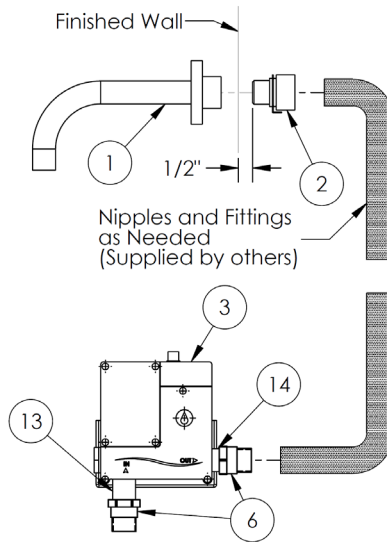
9. Connect the premixed water supply to **Solenoid Adapter (8)** on **Solenoid Inlet (13)** using nipples and fittings as needed.
10. Connect nipples and fittings from **Solenoid Adapter (8)** on **Solenoid Outlet (14)** to **Spout Adapter (2)**:
 - a. Make sure **Sensor Wire (17)** does not wrap around the nipple.
 - b. **Connecting Tab (19)** may be bent for easier installation or for better clearance.
 - c. **Hose (6)** should be used for the to connect **Solenoid Adapter (8)** on **Solenoid Outlet (14)** to hard piping, where allowed by code.
 - d. Non-metal pipes and fittings should be used where allowed by code.
 - e. Spouts from Group A require the male side of **Spout Adapter (2)** to extend $\frac{1}{2}$ " beyond the finished wall. See Diagram D, Group A.
 - f. Spouts from Group B require the male side of **Spout Adapter (2)** to be recessed $\frac{1}{2}$ " behind the finished wall. See Diagram D, Group B.
 - g. Spouts from Group C require the female side of **Spout Adapter (2)** to be recessed $\frac{1}{2}$ " behind the finished wall. See Diagram D, Group C.

Diagram D – Plumbing Connections

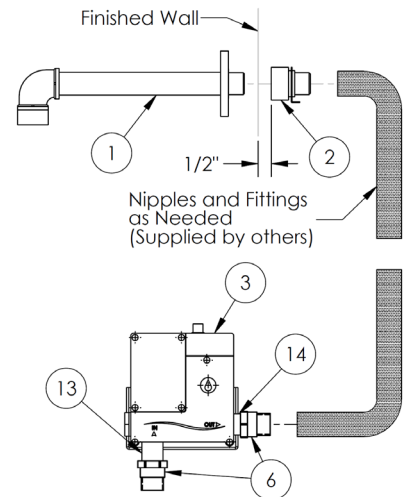
Group A
Flush Connection $\frac{1}{2}$ " NPT Female



Group B
Recess Connection $\frac{1}{2}$ " NPT Female



Group C
Recess Connection $\frac{1}{2}$ " NPT Male



#	Description	#	Description	#	Description
1	Spout Assembly	3	Solenoid Valve	13	Solenoid Inlet
2	Spout Adapter	8	Solenoid Adapter	14	Solenoid Outlet

Note: Refer to Diagrams B and C for Steps 11 – 20.

11. Loosen 4 screws on front of **Electrical Box (5)** to remove front cover. Insert **Battery (9)** into **Electrical Box (5)** (+ to +).
12. **Red LED (18)** will light and initial calibration will begin. After about 5 seconds, **Red LED (18)** turns off indicating initial calibration is complete.
13. Open water supply and activate faucet so water runs through **Spout (1)**. Make sure solenoid operates correctly and check all connections for leaks:
 - a. For WT1, touch **Spout Adapter (2)** to turn on. Remove hand and check for leaks. Touch again to turn off.

- b. For WTM2, touch **Spout Adapter (2)** to turn on. Remove hand and check for leaks. Flow will turn off automatically after about 12 seconds.
 - c. For WP3, move hand near **Spout Adapter (2)** to turn on and leave hand near **Spout Adapter (2)** while checking for leaks. Remove hand to turn off.
 - d. For WPM4, move hand near **Spout Adapter (2)** to turn on. Remove hand and check for leaks. Flow will turn off automatically after about 12 seconds.
14. Remove **Battery (9)** and turn supply back off.
 15. Once solenoid has been tested, proceed to close wall. Make sure to leave access to **Electric Box (5)** and to **Solenoid Valve (3)**.
 16. Connect **Spout (1)** to **Spout Adapter (2)**. Refer to Diagram D.
 17. Replace **Battery (9)** into **Electrical Box (5)** (+ to +).
 18. **Red LED (18)** will light and initial calibration will begin. After about 5 seconds, **Red LED (18)** turns off indicating initial calibration is complete. Replace front cover and tighten screws.
Note: Do not touch the faucet during initial calibration. If faucet is touched, remove battery and return to Step 17.
 19. Open water supply and activate faucet so water runs through **Spout (1)**. Check all connections for leaks.
 20. Activate faucet 10 times for final calibration:
 - a. For WT1, touch **Spout (1)** to turn on. Remove hand and allow to run for 10 seconds. Touch again to turn off. Wait 10 seconds before next activation.
 - b. For WTM2, touch **Spout (1)** to turn on. Remove hand and allow to run until it turns off automatically, about 12 seconds. Wait 10 seconds before next activation.
 - c. For WP3, move hand near **Spout (1)** to turn on and leave hand near **Spout (1)** to allow to run for 10 seconds. Remove hand to turn off. Wait 10 seconds before next activation.
 - d. For WPM4, move hand near **Spout (1)** to turn on. Remove hand and allow to run until it turns off automatically, about 12 seconds. Wait 10 seconds before next activation.

Note: Sensor continuously learns environment as it is used. It may take up to a week of regular use to fully calibrate.

Cleaning

1. To clean the spout, press once on **White Button (18)** to enter cleaning mode for 30 seconds. **Red LED (18)** will begin flashing twice repeatedly.
2. During this time, spout may be cleaned without water turning on by touch or proximity.
3. When cleaning mode ends, **Red LED (18)** will stop flashing and operation will return to normal.

Troubleshooting

Red LED Code	Meaning	Remedy
Solid Light	Calibration	Wait for light to turn off. Do not touch faucet until light turns off.
1 Flash	Battery level is low	Replace battery (type CR-P2)
2 Flashes	Cleaning mode or safety timeout is activated	Wait for light to stop flashing
3 Flashes	Bad connection	Check installation. Make sure sensor wire and solenoid wire are not touching each other or any metal. Make sure sink and counter are not metallic. Remove and replace battery, wait for Red LED to turn off and follow Step 20 above.
Malfunction	Cause	Remedy
Faucet does not turn on	Sensor stop	Check Electrical Box for flashing Red LED. Follow instructions above.
	Water supply is off	Turn water supply on.

Faucet turns on by itself	Sensitivity too high	Adjust sensitivity. Press and hold the White Button until Red LED is permanently lit, about 10 seconds. When finger is removed, Red LED will light in a series of flashes to indicate sensitivity level. 1 flash is the lowest and 5 flashes is the highest. Press the white button 1 time for each level to be changed. When desired level is reached, wait for series of flashes from Red LED to confirm level. Note: Level should be adjusted 1 step at a time and tested.
Faucet functions intermittently	Calibration not complete	Follow Step 20 above. It may take up to one week of regular use for sensor to fully learn environment.
	Sensitivity too low	Adjust sensitivity. Press and hold the White Button until Red LED is permanently lit, about 10 seconds. When finger is removed, Red LED will light in a series of flashes to indicate sensitivity level. 1 flash is the lowest and 5 flashes is the highest. Press the white button 1 time for each level to be changed. When desired level is reached, wait for series of flashes from Red LED to confirm level. Note: Level should be adjusted 1 step at a time and tested.
	Bad connection	Check installation. Make sure sensor wire and solenoid wire are not touching each other or any metal. Make sure sink and counter are not metallic. Remove and replace battery, wait for Red LED to turn off and follow Step 20 above.
Faucet does not turn off	Sensitivity too high	Adjust sensitivity. Press and hold the White Button until Red LED is permanently lit, about 10 seconds. When finger is removed, Red LED will light in a series of flashes to indicate sensitivity level. 1 flash is the lowest and 5 flashes is the highest. Press the white button 1 time for each level to be changed. When desired level is reached, wait for series of flashes from Red LED to confirm level. Note: Level should be adjusted 1 step at a time and tested.
	Bad connection	Check installation. Make sure sensor wire and solenoid wire are not touching each other or any metal. Make sure sink and counter are not metallic. Remove and replace battery, wait for Red LED to turn off and follow Step 20 above.
For technical support, please call 718-257-2800		