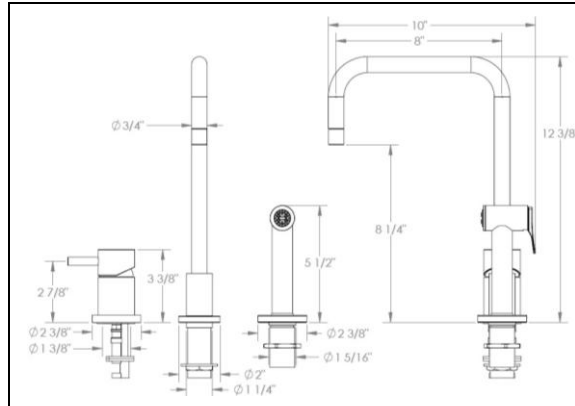


FEATURES

- Flexible hose connections
- Flow rate 1.2 gpm (4.5 lpm) maximum faucet flow rate
- Solid brass construction
- Warranty:
 - Limited lifetime warranty (residential use)
 - One year (commercial use)
- Shipping weight (lbs.) 10
- Shipping dimensions (in.): 29x1



ITEM NO.	PART NUMBER	QTY.
1	26-7.11 KITCHEN SPOUT BASE OUTER	
2	26-7.11 KITCHEN SPOUT BASE TOP	
3	26-7.11 KITCHEN SPOUT BASE PLASTIC BUSHING	
4	26-7.11 KITCHEN SPOUT BASE TOP PLASTIC RING	
5	26-7.11 KITCHEN SPOUT BASE WASHER	
6	AS568 - 110	
7	26-7-SPOUT	
8	KEROX K 35A	
9	SSCUPSKT 0.164-32x0.25-HX-S	
10	26-7.1.3-TIB-MNTNG-SCRW	
11	26 H BASE THIN	
12	26-2-AERTR-SHLL	
13	MSA6-SPRAY	
14	MSA4-HOSE-NUT	
15	MSA4-HOSE-GSKT	
16	MSA4-HOSE-RETAIN-RING	
17	MSA4-HOSE-WSHR	
18	MSA4-FLEX-HOSE	
19	952 CENTER BODY	
20	CENTERBODY LOCK NUT	
21	H-BS24-LOCK-NUT	
22	H-BASE-INNR-KTCHN	
23	26-2-AERTR-ADAP	
24	NEOPERL AERTR GSKT TT	
25	NEOPERL PCA PL TT 1.2GPM (44.3060.00001)	
26	TEE-CAP	
27	952-SMLL-GSKT	
28	26-7.1.3-TIB-BASE-RING	
29	SPPLY-HOSE-3-8COMP	2
30	26-7.1.3-TIB-LVR	
31	26-7.1.3-TIB-POST	
32	26-7.1.3-TIB-RBBR-GSKT	
33	26-7.1.3-TIB-BODY	
34	26-7.1.3-TIB-CRT-NUT	
35	26-1.1-DOME	
36	26-7.1.3-TIB-MNTNG-RBBR-WSHR	
37	26-7.1.3-TIB-MNTNG-WSHR	
38	26-7.1.3-TIB-MNTNG-NUT	
39	SPPLY-HOSE-0.5-14-NPS	

IMPORTANT INSTALLATION INFORMATION

- USE TEFLON TAPE OR PIPE SEALANT FOR THREADED CONNECTIONS
- DO NOT USE PLUMBER'S PUTTY ON ANY OF THE BRASS COMPONENTS
This will cause the finish to tarnish and void the warranty. A non-corrosive Alkoxy Silicone is recommended.
- DURING SWEATING OF LINES DO NOT OVERHEAT CASTING
Overheating may cause damage to internal mechanism
- COPPER ADAPTORS MAY BE REQUIRED TO COMPLETE YOUR INSTALLATION

For technical support, please call 718-257-2800