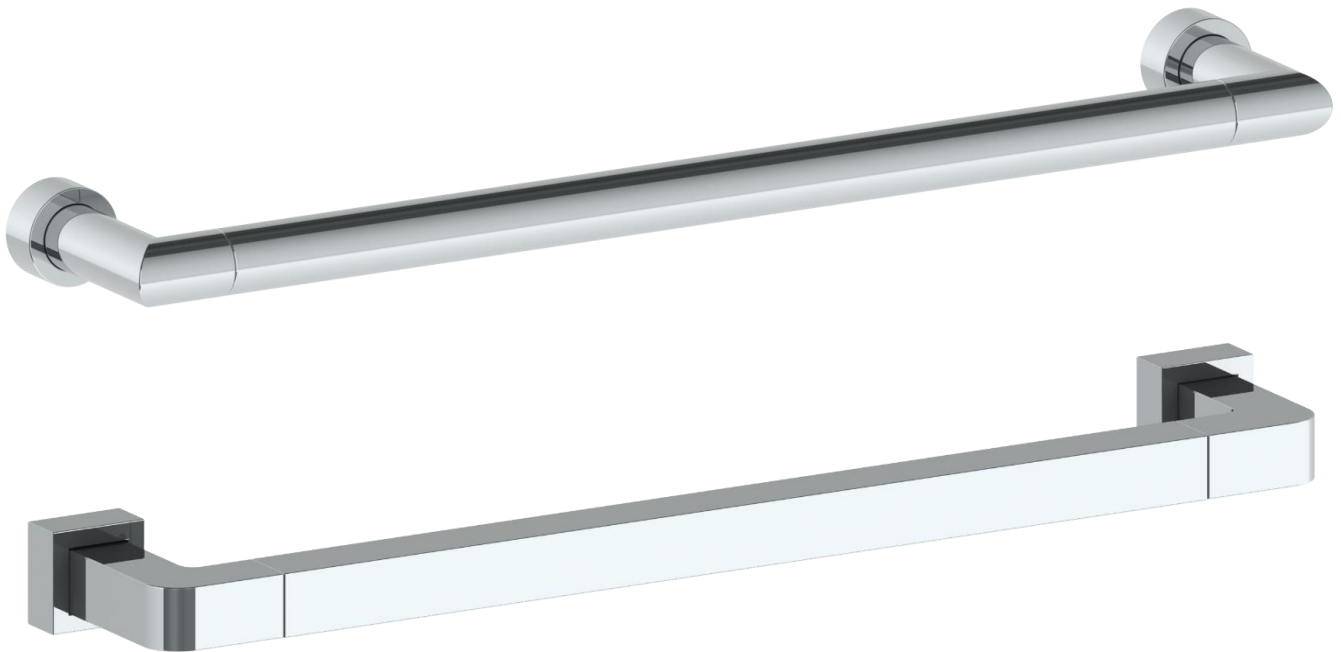


WATERMARK

MADE IN BROOKLYN, NEW YORK

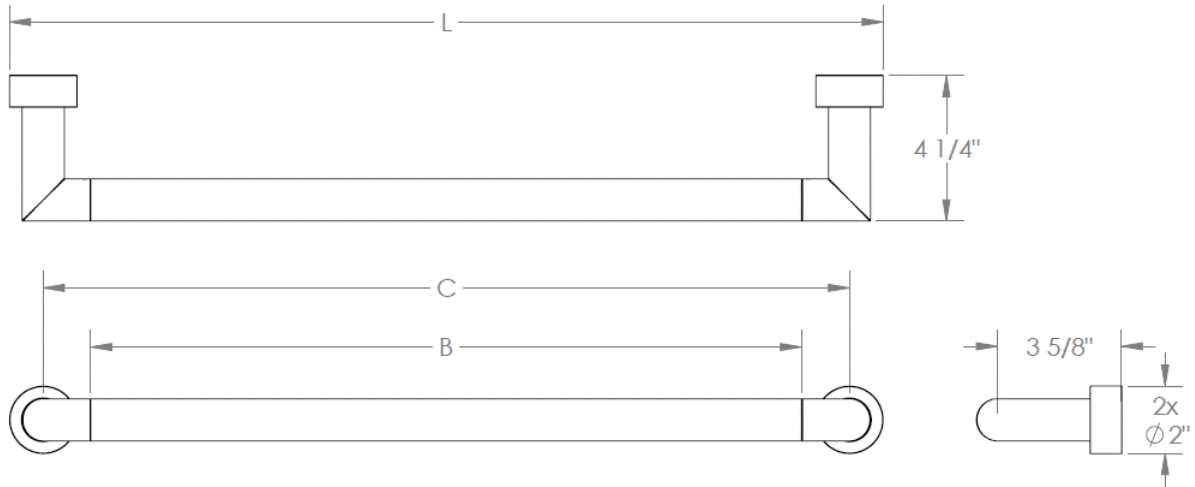
INSTALLATION INSTRUCTION



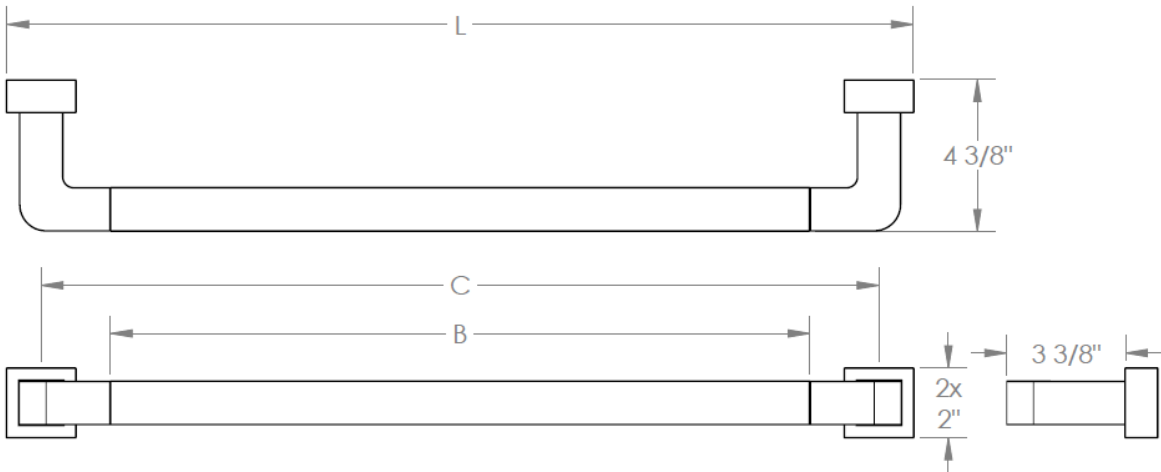
Heated Towel Warmers
TWRD_/_ / TWSQ_/_

DIMENSIONS

TWRD -

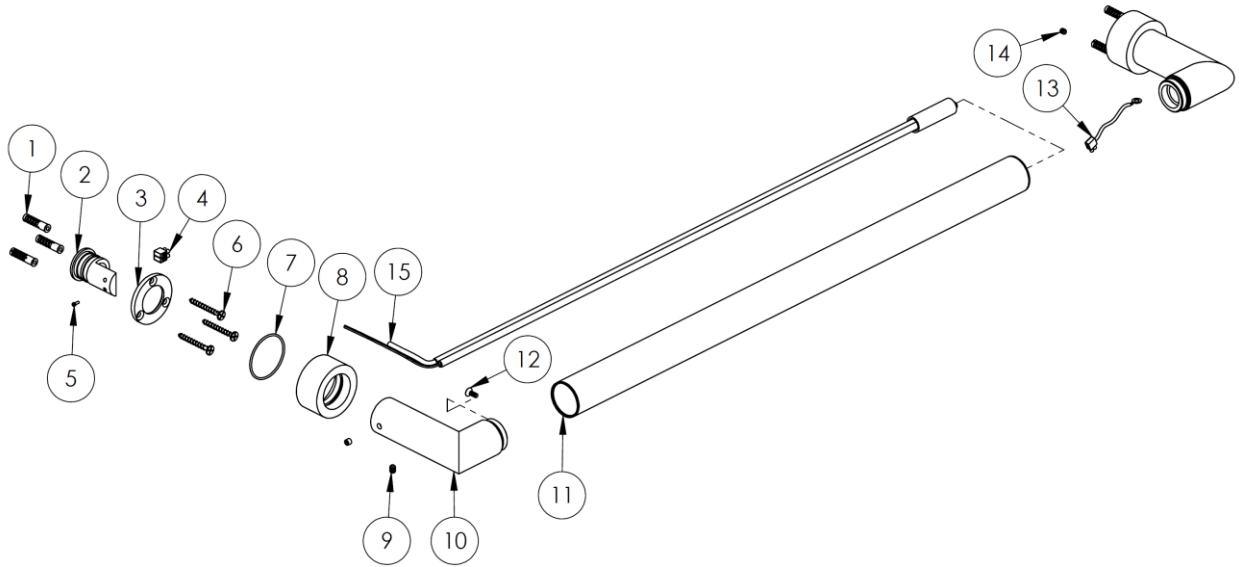


TWSQ -



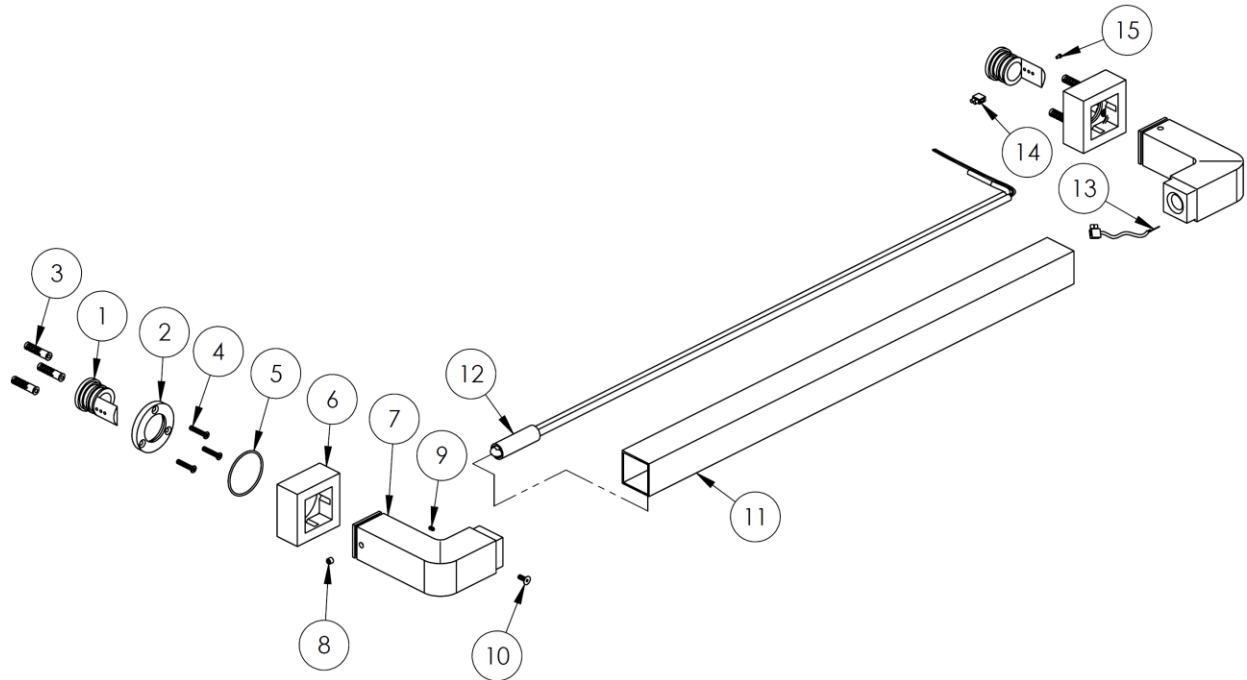
<u>Model Number</u>	<u>Dimension of L</u>	<u>Dimension of C</u>	<u>Dimension of B</u>
TWRD1/3/5-24	26"	24"	21 1/8"
TWRD1/3/5-30	32"	30"	27 1/8"
TWSQ1/3/5-24	26"	24"	20"
TWSQ1/3/5-30	32"	30"	26"

TWRD - PARTS BREAKDOWN



ITEM NO.	PART NUMBER	QTY.
1	TOGGLE AF6 WALL ANCHOR	6
2	CNTCT-FLNGE	2
3	MNTNG-PLATE	2
4	CNTCT-WIRE-NUT	1
5	FILLBUSTR SCREW	2
6	CR-FHM1 0.138-40x0.75x0.75-S	6
7	O-RING AS568-029	2
8	ROUND-MNTNG-FLNGE	2
9	SSCUPSKT 0.19-24x0.1875-HX-N	4
10	ROUND-END-BAR-ELBW	2
11	ROUND-CNTR-BAR	1
12	SCHCSCREW 0.138-40x0.375x0.375-HX-S	1
13	GRND-WIRE	1
14	SSCUPSKT 0.164-32x0.1875-HX-S	2
15	PWR-CABLE	1

TWSQ - PARTS BREAKDOWN



ITEM NO.	PART NUMBER	QTY.
1	CNTCT-FLNGE	2
2	MNTNG-PLATE	2
3	TOGGLER AF6 WALL ANCHOR	6
4	CR-FHM1 0.138-40x0.75x0.75-S	6
5	O-RING AS568-029	2
6	SQUARE-END-BAR-ELBW-FLNGE	2
7	SQUARE-END-BAR-ELBW	2
8	SSCUPSKT 0.19-24x0.1875-HX-N	4
9	SSCUPSKT 0.164-32x0.1875-HX-S	2
10	SCHCSCREW 0.138-40x0.375x0.375-HX-S	1
11	SQUARE-CNTR-BAR	1
12	PWR-CABLE	1
13	GRND-WIRE	1
14	CNTCT-WIRE-NUT	1
15	FILLBUSTR SCREW	2

INSTALLATION INSTRUCTIONS

ATTENTION

1. The heated towel warmer must be installed by a licensed electrician.
2. The heated towel warmer is intended for use on a flat wall and not a floor or ceiling.
3. The installation guide features the assembly and installation of a single towel warmer. Multiple towel warmers can be installed together in a variety of configurations and must be wired in parallel. Some pre-wiring in the wall cavity is required.
4. The towel warmer must be installed in compliance with all local, state and Federal building regulations and electrical codes. Consult your electrician for assistance.

! IMPORTANT SAFETY PRECAUTIONS !



ENSURE ALL ELECTRICAL WORK AND INSTALLATION IS CARRIED OUT BY A LICENSED ELECTRICIAN



ANCILLARY ELECTRICAL COMPONENTS SUCH AS TRANSFORMERS MAY BE REQUIRED FOR NON-120V SUPPLY VOLTAGE. CONSULT YOUR ELECTRICIAN FOR HELP AND ASSISTANCE



THIS PRODUCT IS UL-LISTED AND MUST BE INSTALLED IN ACCORDANCE WITH ALL APPLICABLE BUILDING AND ELECTRICAL REGULATIONS

SAFETY

1. This device is not intended to be used and operated by young children, as the towel warmer surface reaches high temperatures and may pose a safety hazard.
2. **WARNING:** In order to avoid posing a hazard to infants and very young children, it is recommended that the device be installed such that the lowest heated rail is at a minimum height of 24" (approx. 610mm) above the floor.

PRE-WIRING

1. Determine on which side of the towel warmer (left or right) the power cable is intended to enter from.
2. Notify your electrician of this, as this side of the towel warmer will be the one covering the wall cavity made for the electrical cable.

RECOMMENDED MAINTENANCE TIPS

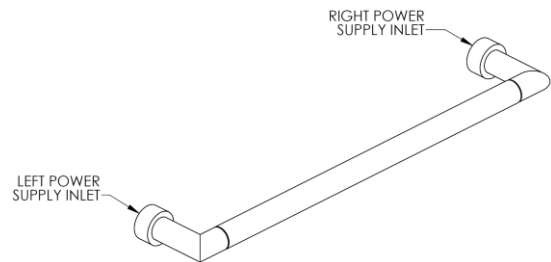
1. Avoid contact with newly applied paint, thinner or other harsh solvents
2. To clean, wipe the towel warmer with a soft cloth dampened with mild, soapy water or a citrus-based furniture polish. For chrome and nickel finishes, a specialized chrome cleaning agent can be used every few weeks.
3. Do not use any harsh chemical cleaners or any products containing ammonia on the surface of the towel warmer, and avoid contact with cosmetic products such as shaving cream, nail polish removers or colognes.

INSTALLATION & ASSEMBLY

Note: The following instructions pertain to model TWRD_ __. See page 3 for reference.

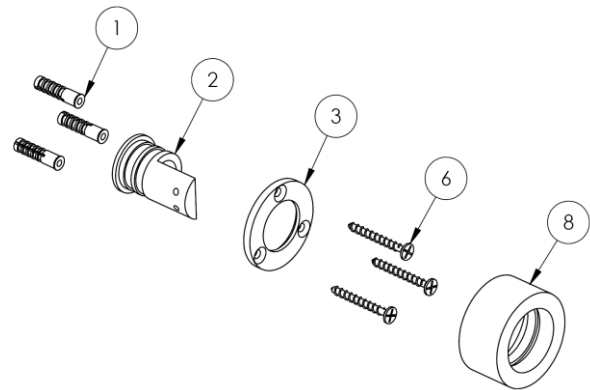
STEP (1)

Choose the side (**left or right**) on the towel warmer the electrical supply is intended to come through and notify your electrician.



STEP (2)

Use the mounting plate screw holes (3) to mark out the desired position of the mounting flange (8), making sure both the left and right flange are level with each other. Drill 3 pilot holes in each mounting plate (3) as well as an additional hole for the electrical mains supply on the chosen side. Insert the wall anchors (1) into the pilot holes and fix the mounting plate (3) and contact flange (2) to the wall using the fastening screws provided (6).

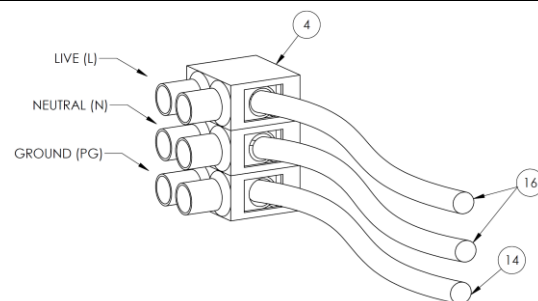


STEP (3) TO BE CARRIED OUT BY ELECTRICIAN

Ensure your electrical supply is switched to "OFF" and connect the mains electrical cable to the Ground (PG), Live (L) and Neutral (N) ports located on the terminal block (4) protruding out of the center bar elbow (10).

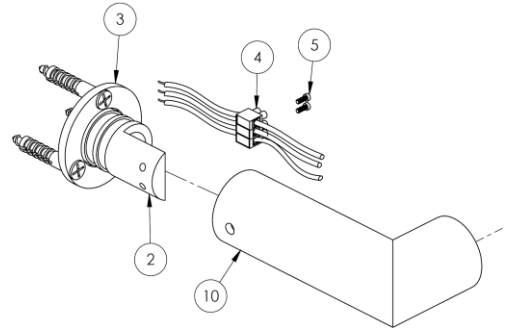
The terminal block (4) has already been connected

to the power cable (16) and grounding wire (14) located inside the center bar (12).



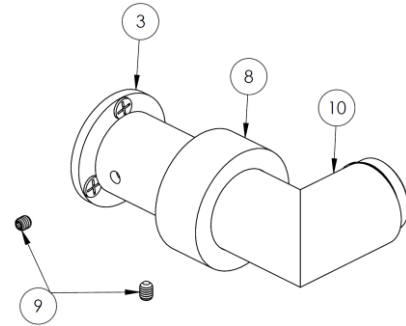
STEP (4)

Mount the terminal block (4) to the contact flange (2) using the fastening screws provided (5). Slide the center bar elbow (10) over the contact flange (2) until the elbow (10) contacts the mounting plate (3) and sits flush up against it.



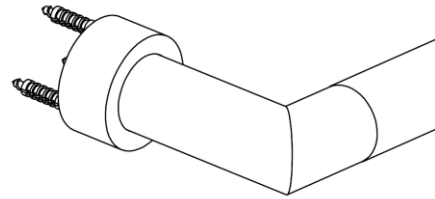
STEP (5)

After the elbow (10) is firmly pressed against the mounting plate (3), connect the elbow (10) to the contact flange (2) using the #10-24 set screws (9)



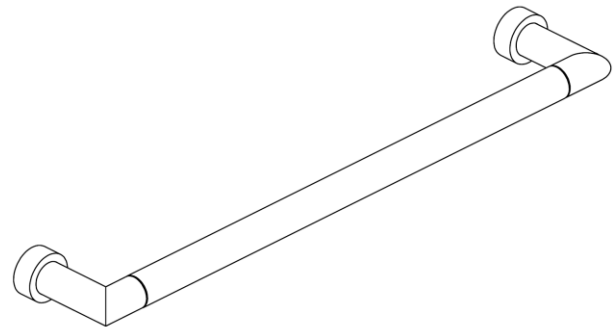
STEP (6)

Slide the mounting flange (8) over the end bar elbow until it sits flush up against the wall to finish the assembly.



STEP (7)

Repeat steps 4-6 for installation of the center bar elbow (10) and mounting flange (8) on the opposite end of the towel bar assembly. The towel bar is now fully assembled, and it is now safe to turn the electrical supply switch from the "OFF" position to the "ON" position.



TECHNICAL INFORMATION

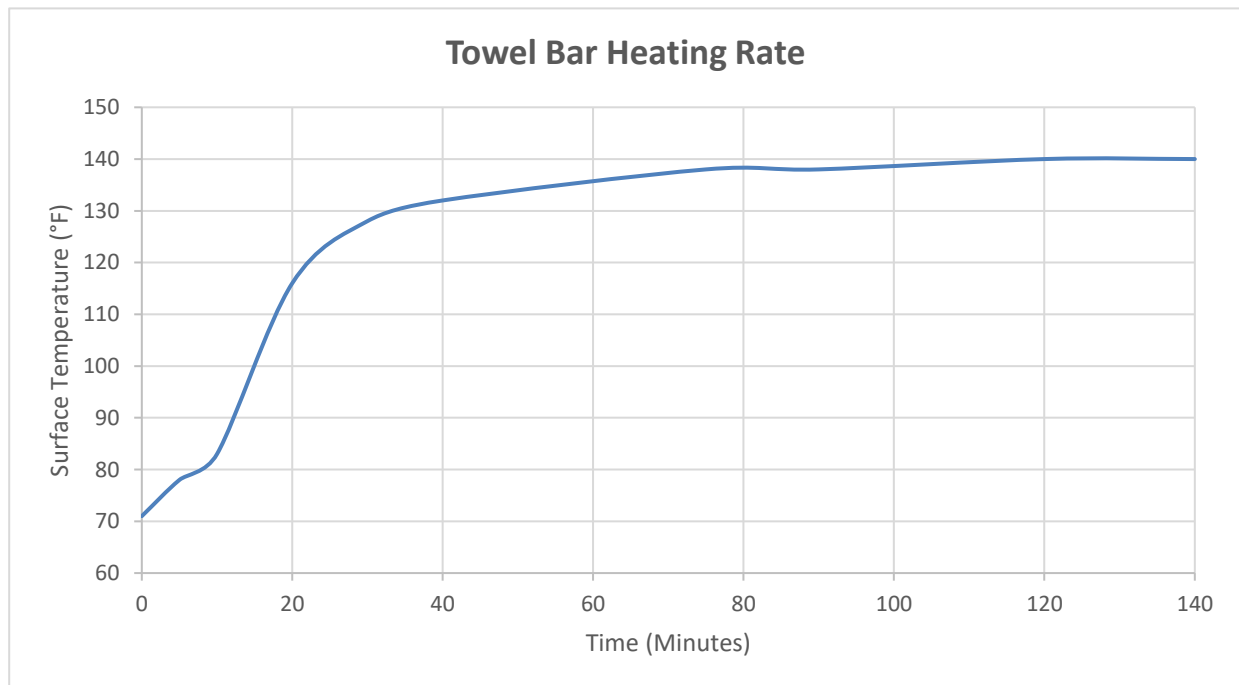
INTERNAL HEATING ELEMENT

VOLTAGE	110V
POWER RANGE	30 W/m
MINIMUM OPERATING TEMPERATURE	-76°F
MAXIMUM OPERATING TEMPERATURE	+302°F
MINIMUM BENDING RADIUS	0.60in

Power Consumption Rating

Towel Warmer Size	24"	30"
Watts (per bar)	15W	36W
Amps (per bar)	0.2A	0.4A

- Silicone rubber insulation
- FeCrAl alloy heating wire
- In compliance with 2014/35/UE DIRECTIVE
- UL499 certified



IMPORTANT INSTALLATION INFORMATION

- USE TEFLON TAPE OR PIPE SEALANT FOR THREADED CONNECTIONS
- DO NOT USE PLUMBER'S PUTTY ON ANY OF THE BRASS COMPONENTS
This will cause the finish to tarnish and void the warranty. A non-corrosive Alkoxy Silicone is recommended.
- DURING SWEATING OF LINES DO NOT OVERHEAT CASTING
Overheating may cause damage to internal mechanism
- COPPER ADAPTORS MAY BE REQUIRED TO COMPLETE YOUR INSTALLATION

For technical support, please call 718-257-2800