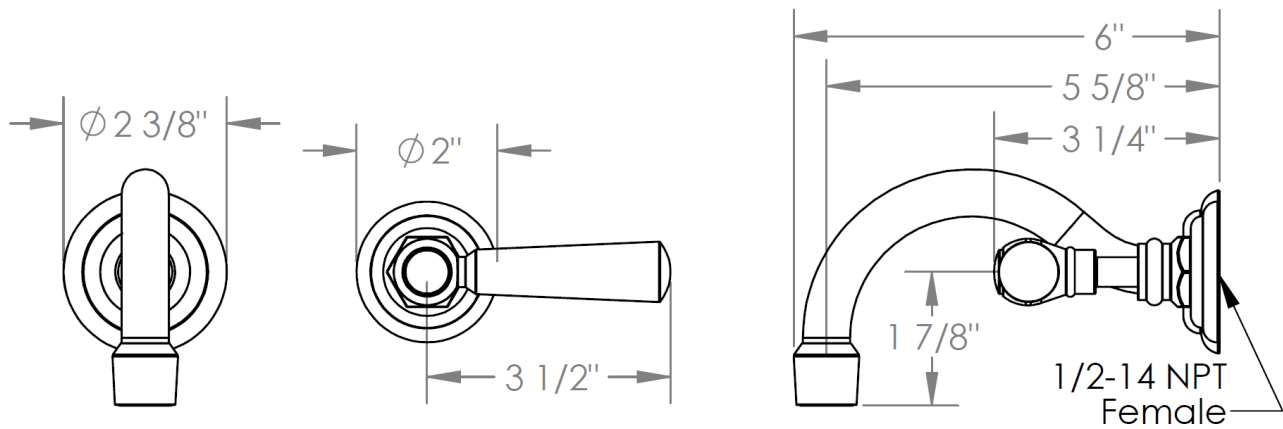


206-1.2S-

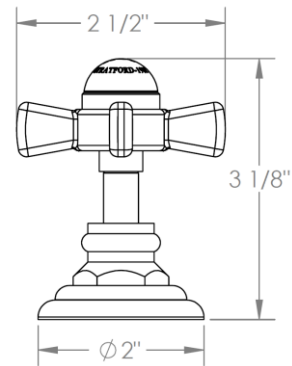
Wall Mounted 2 Hole Lavatory Set
Requires SS-SHV1.2 concealed rough
Flow Rate: 1.2 GPM



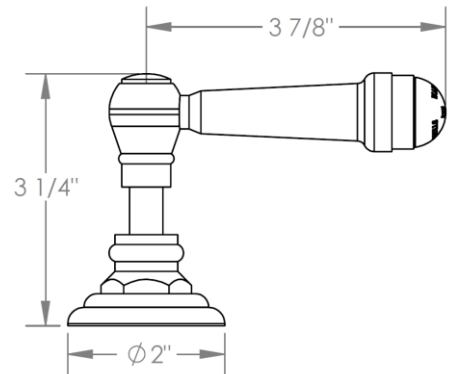
Meets the applicable requirements of ASME A112.18.1-2005/CSA B125.1-05, entitled "Plumbing Supply Fittings"

HANDLE TRIM OPTIONS

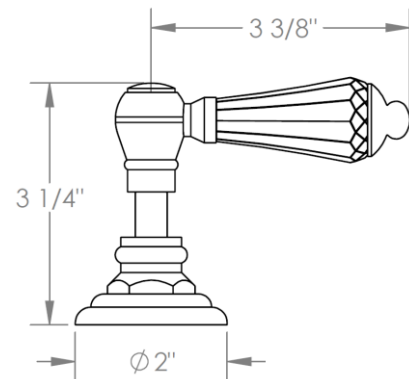
S1 - PRESTON



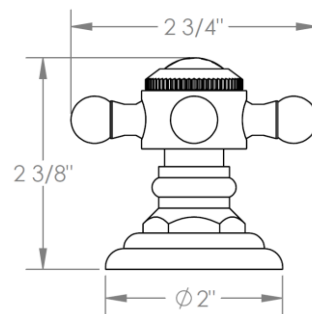
S2 - WALTHAM



SWA - DARIEN



V - WALES



S1A – NOTTINGHAM

