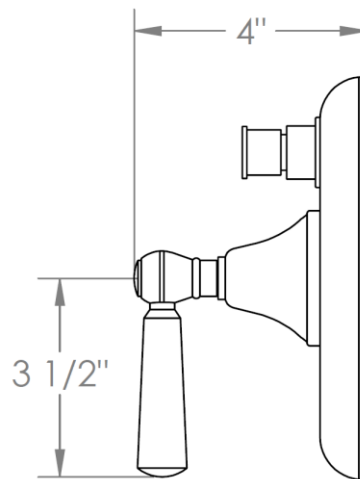
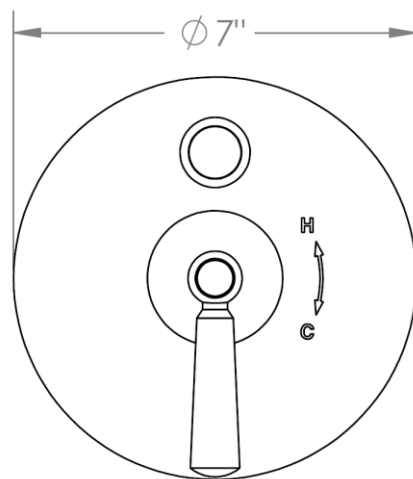
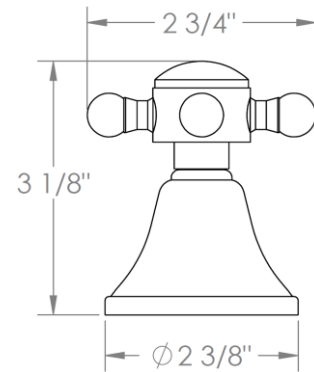


**313-P90-\_\_**  
Trim Kit Only for Pressure Balance Valve with Diverter  
Requires SS-PB85 concealed rough

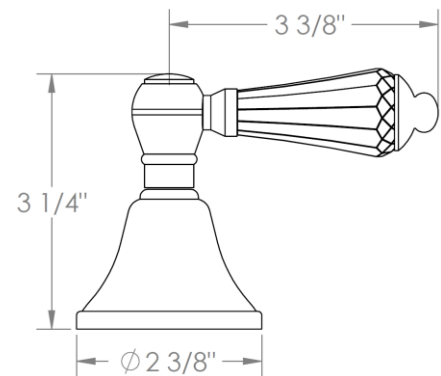


## HANDLE TRIM OPTIONS

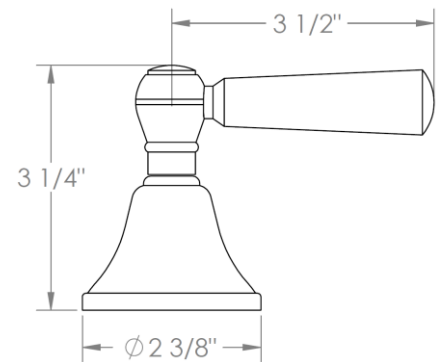
AX – LOS ANGELES



SW – SAN FRANCISCO



WW – BOSTON



Y2 – WILLIAMS

