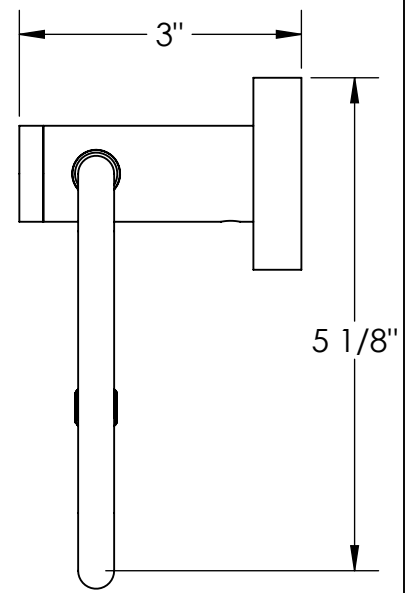
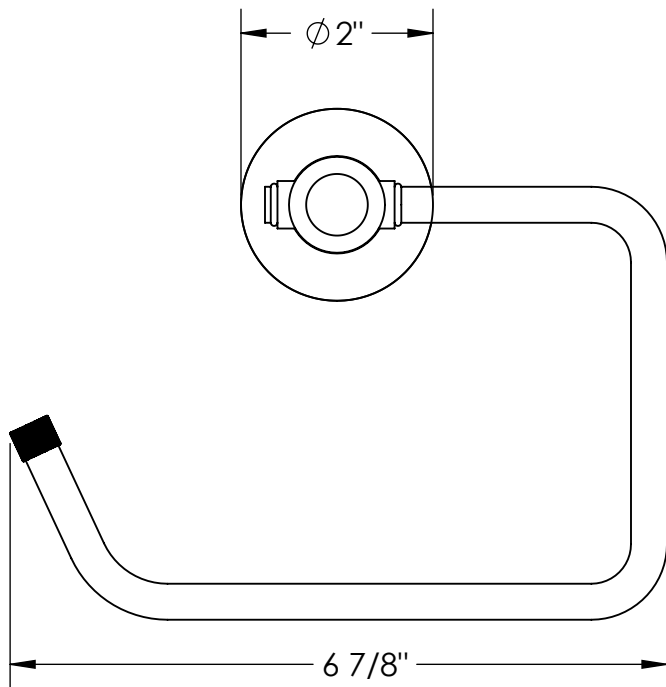


70-0.4

Wall Mounted Knurled Paper Holder



Meets the applicable requirements of ASME A12.18.1-2005/CSA B125.1-05, entitled "Plumbing Supply Fittings"