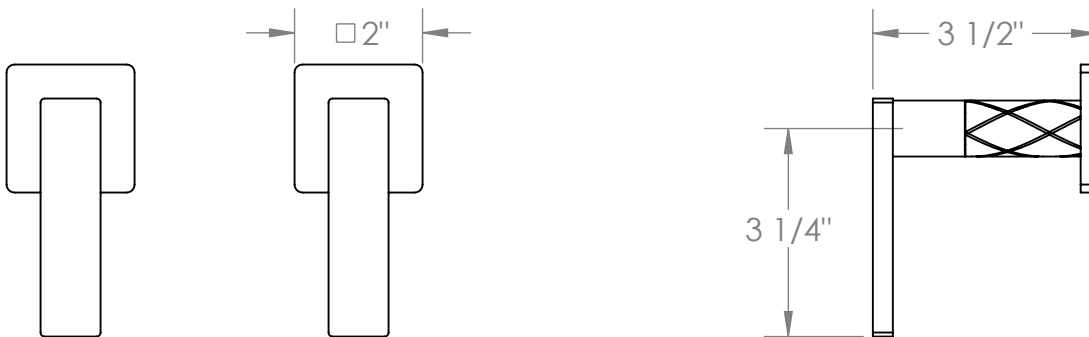


71-WTR2-

Wall Mounted Trim

Includes Alignment Kit

For use with SS-506 concealed rough



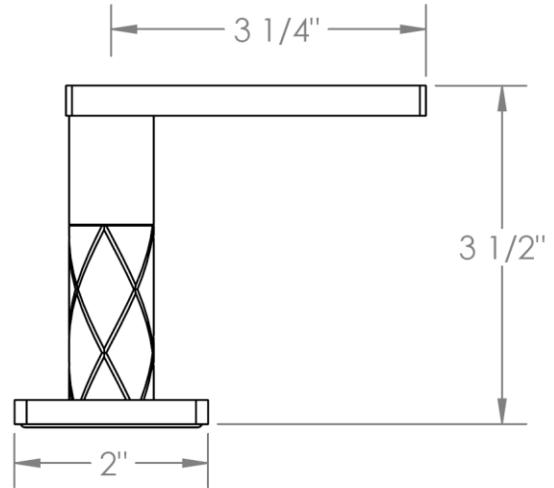
Meets the applicable requirements of ASME A112.18.1-2005/CSA B125.1-05, entitled "Plumbing Supply Fittings"

WATERMARK DESIGNS 8/26/2019

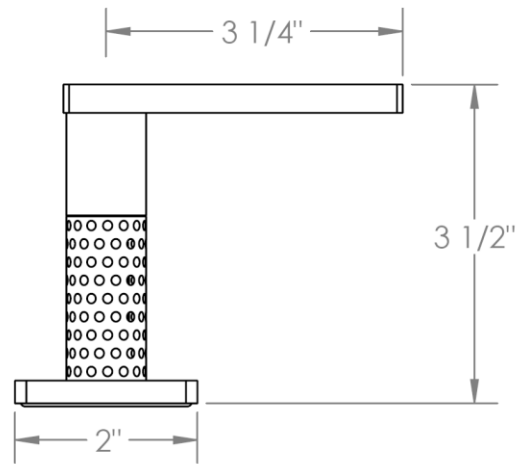
350 Dewitt Ave Brooklyn NY 11207 USA T 718 257 2800 F 718 257 2144 info@watermark-designs.com

Handle Trim Options

LLD4



LLP5



LLO6

