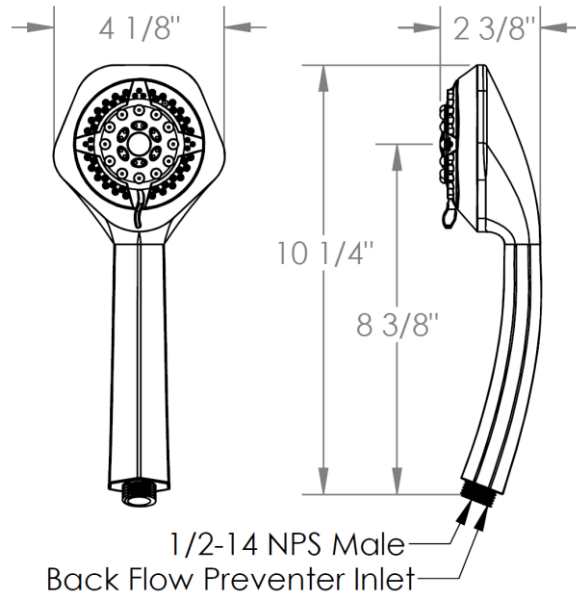


SH-E06

Gramercy 3 Function Antiscale Hand Shower
Features Include Mist, Rain and Spray Patterns
Connection Type: 1/2" Male Supply
Flow Rate: 1.75 GPM



Meets the applicable requirements of ASME A112.18.1-2005/CSA B125.1-05, entitled "Plumbing Supply Fittings"

WATERMARK DESIGNS 9/4/2018

350 Dewitt Ave Brooklyn NY 11207 USA T 718 257 2800 F 718 257 2144 info@watermark-designs.com