

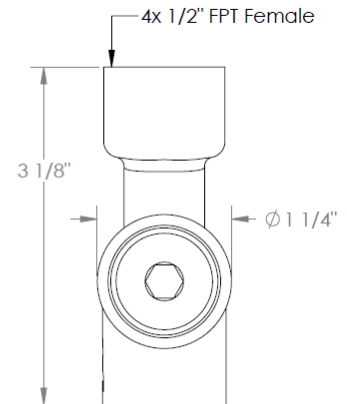
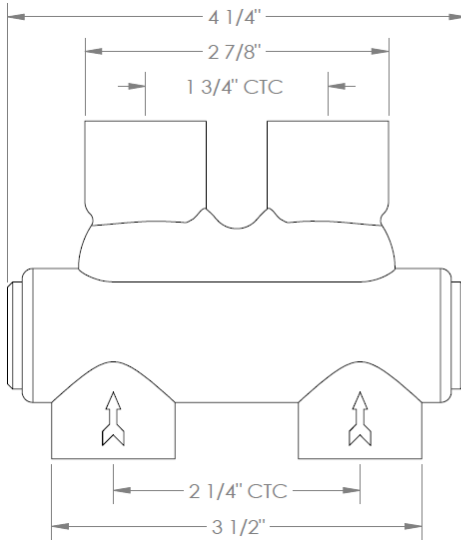
**SS-PB50**

**1/2" Remote Pressure Balance Valve (Anti-scalding)**

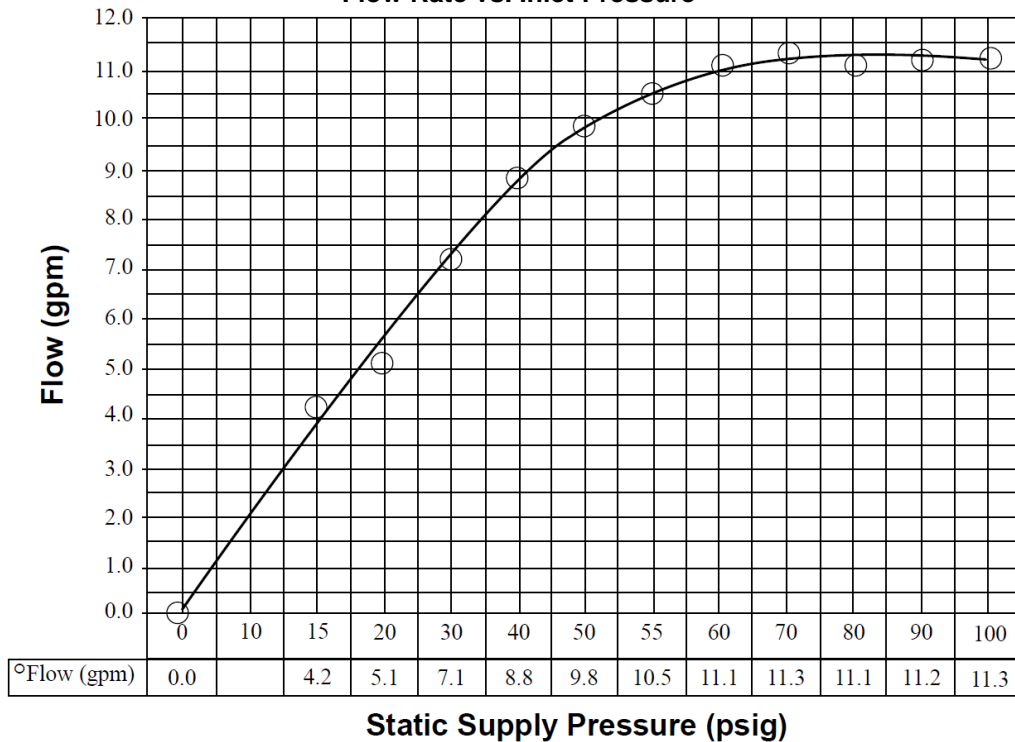
New York state - building code requirement

Note: To protect from pressure surges and pressure loss - which can cause fluctuations in hot/cold water delivery.  
 Note: Check valves (not supplied) need to be installed at the inlets of this valve to prevent potential cross connection.

Caution: Some plumbing codes may require hot water not to exceed 120°F.



**Flow Rate vs. Inlet Pressure**



Meets the applicable requirements of ASME A112.18.1-2005/CSA B125.1-05, entitled "Plumbing Supply Fittings"